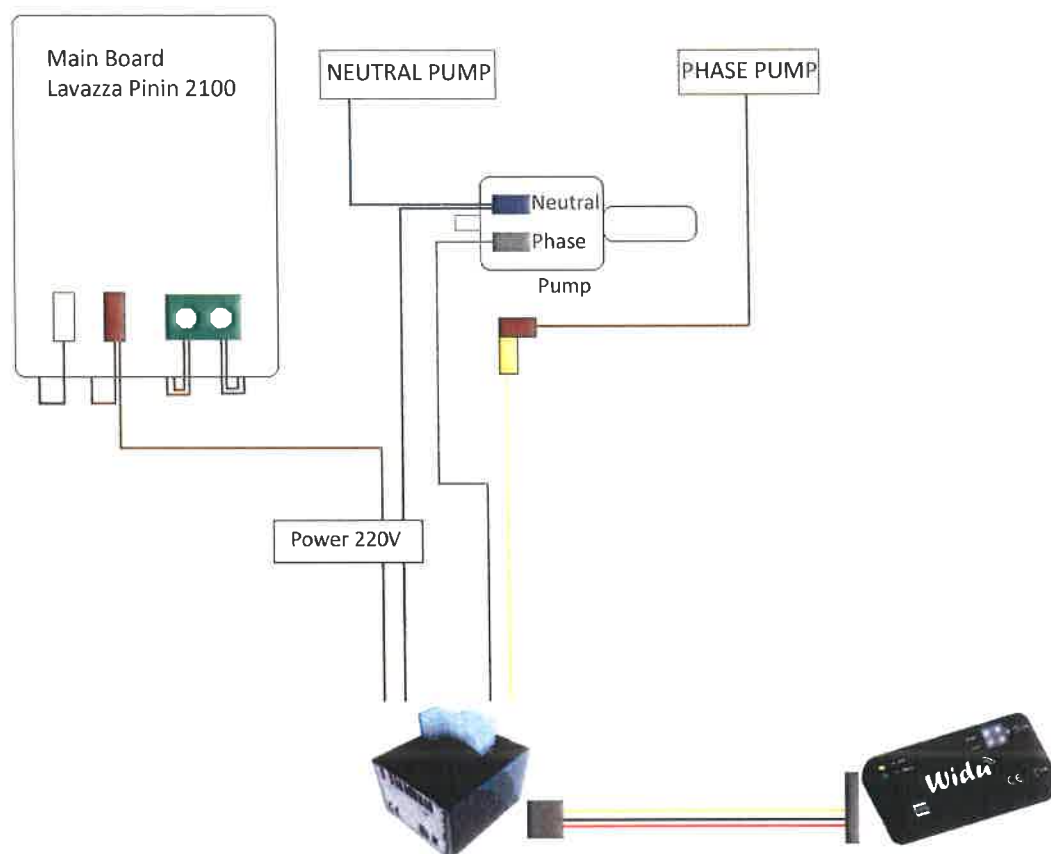




ORBA

Les architectes de votre gestion DA

DIAGRAM CONNECTION WIDU' LAVAZZA EP 2100 PININFARINA



1. Open the EP 2100 backside.
2. Connect the Brown (Phase 220V) of the AspoGT together with the Brown (Phase 220V) on the main board.
3. Connect the Blue (Neutral 220V) of the AspoGT together with the Blue (Neutral 220V) of the Pump.
4. Disconnect the Brown (Phase 220V) of the Pump and connect it to the Yellow to the Aspo GT
5. Connect the Grey of the AspoGT on the Pump where the Brown was previously connected.